

\$249,900 - 40 Mckenzie Close, Leduc

MLS® #E4439860

\$249,900

0 Bedroom, 0.00 Bathroom,
Single Family on 0.00 Acres

Meadowview Park_LEDU, Leduc, AB

Discover the epitome of luxury living with over 5700+ sq.ft lot area in the prestigious Leduc Meadowview community. This large pie shaped lot can accommodate an oversized triple car garage and much more. Minutes away from the international airport. You can pick any builder, or you can build yourself.

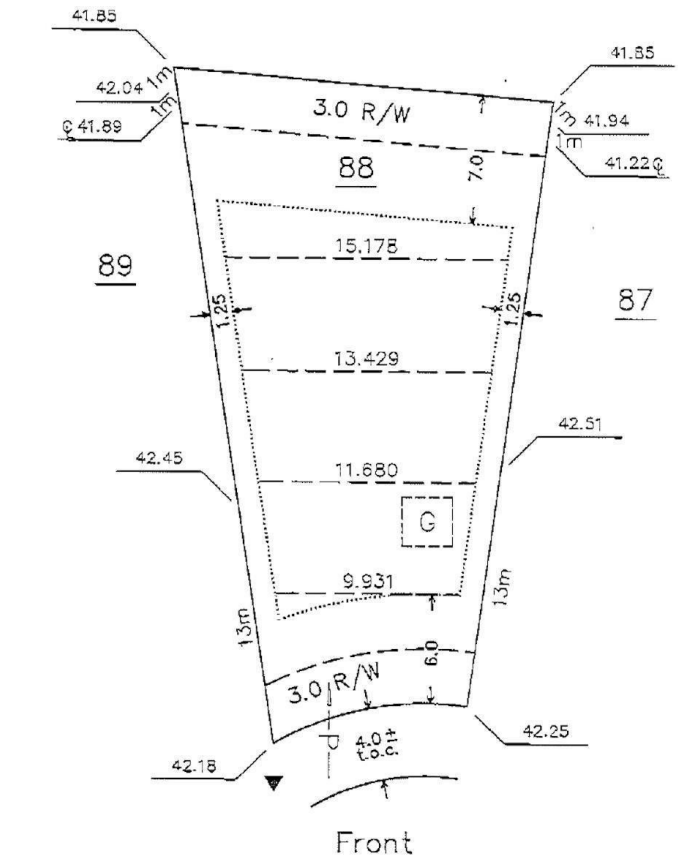
Essential Information

MLS® #	E4439860
Price	\$249,900
Bathrooms	0.00
Acres	0.00
Type	Single Family
Sub-Type	Vacant Lot/Land
Status	Active

Community Information

Address	40 Mckenzie Close
Area	Leduc
Subdivision	Meadowview Park_LEDU
City	Leduc
County	ALBERTA
Province	AB
Postal Code	T9E 0P2

Exterior



Exterior Features Cul-De-Sac

Additional Information

Date Listed June 2nd, 2025

Days on Market 62

Zoning Zone 81

DATA IS DEEMED RELIABLE BUT IS NOT GUARANTEED ACCURATE BY THE REALTORS® ASSOCIATION OF EDMONTON. COPYRIGHT 2025 BY THE REALTORS® ASSOCIATION OF EDMONTON. ALL RIGHTS RESERVED. Trademarks are owned or controlled by the Canadian Real Estate Association (CREA) and identify real estate professionals who are members of CREA (REALTOR®, REALTORS®) and/or the quality of services they provide (MLS®, Multiple Listing Service®)

Listing information last updated on August 3rd, 2025 at 7:17am MDT